

LED Solar Powered Runway Threshold End Light

AH-SA-S2



AH-SA-S2 use bidirectional optics; designed for permanent usage at Non-Precision Runways located in regions without access to electricity and high photovoltaic potential.

Solar power system is equipped for operating 365 days on solar energy.



Compliance

- ICAO Annex 14 Vol. I (7th. Edition, July 2016)
- CAP 437

Features

Electrical

- LED as light source saving power consumption and maintenance, 95% less power than equivalent incandescent light

Physical

- Integrated design, enabling a rugged and completely waterproof seal capable of prolonged and deep immersion (IP67).
- PC housing, UV resistance, shockproof and corrosion proof.
- Powder coated die casting aluminum base

System design

- ON/OFF button interface
- Wireless remote control by AH-HP-RC

Optional

- External battery charger
- NVG - compatible infrared (IR) LED
- Pilot to ground remote control(VHF radio control)

Application

- Airport, Touchdown and Lift-off area (TLOF) , Final Approach and Take-off area (FATO) , Taxiway lighting, Runway edge lighting, Portable or expedited airfield lighting, Threshold lighting, Runway end light
- Helipad taxiway
- Emergency operations
- Airport/Airdrome

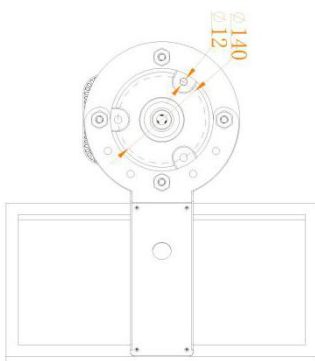
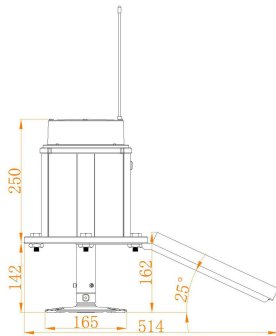
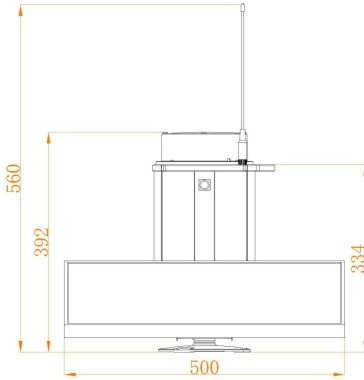
APPLICATION



LED Solar Powered Runway Threshold End Light

AH-SA-S2

Dimension(mm)



SPECIFICATIONS

AH-SA-S2 LED Solar Powered Runway Threshold End Light

Light Characteristics

Light Source	LED
Available Colors	Red/Green, Red, Green
Intensity(cd)-Red	50(L1), 120(L2), 260(L3), 1200(L4), 2870(L5)
Intensity(cd)-Green	80(L1), 310(L2), 590(L3), 3000(L4), 12500(L5)
Flash Characteristics	Steady
Operation Mode	Wireless remote controlled
LED Life Experience(hours)	>100,000

Electrical Characteristics

Operating Voltage	11.1V
Circuit Protection	Integrated

Solar Characteristics

Solar Module Type	Mono crystalline Silicon
Charging Regulation	Microprocessor controlled

Battery Characteristics

Battery type	Lithium ion battery
Nominal Voltage (V)	11.1
Battery Service Life	Average 5 years

Physical Characteristics

Lamb Body Material	Aluminum Alloy
Base Material	Powder-coated Die-casting aluminum
Installation Size	140×140×M10
Overall Size (mm)	560×500×514
Weight(kg)	10
Product Life Expectancy	Average 10 years

Environmental Factors

Ambient Temperature(°C)	-55~70
Humidity	0~100%
Wind Speed	80m/s
Waterproof	IP67

Compliance

ICAO
 ICAO, Annex 14th, Volume I, 7th Edition dated July 2016, clause 5.3.10.9/5.3.11.4 & Appendix 1, Figure A1-1b

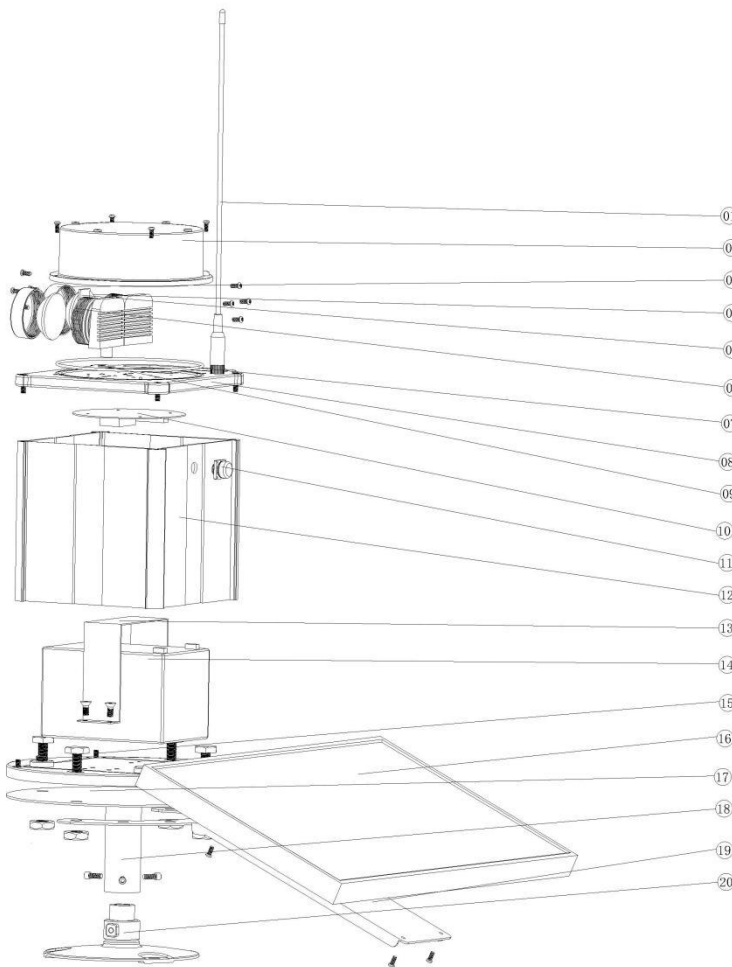
Optional

NVG - compatible infrared (IR) LED
 Pilot to ground remote control(VHF radio control)
 External battery charger

LED Solar Powered Runway Threshold End Light

AH-SA-S2

Structure



①	Antenna for wireless control
②	Polycarbonate dome
③	Screw
④	Lens
⑤	LED
⑥	LED holder
⑦	O ring for waterproof
⑧	Handle plate
⑨	ON/OFF button
⑩	Printed circuit board
⑪	Solar panel connector
⑫	Die casting aluminum casing
⑬	Battery holder
⑭	Battery built-in
⑮	Air valve
⑯	Solar panel
⑰	Mounting plate
⑱	Mounting pole
⑲	Solar holder
⑳	Fragile coupling